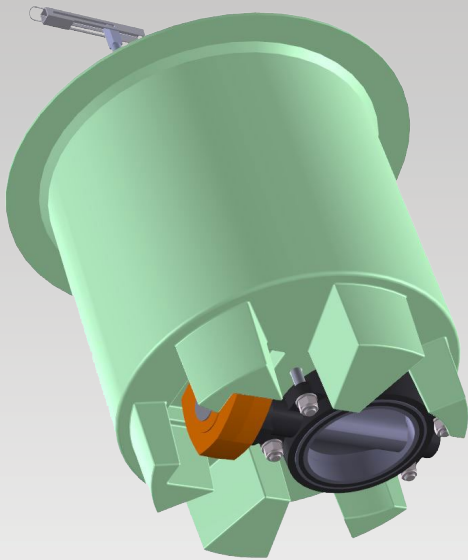


DrainSAFE™ 2



The DrainSAFE™ 2 retrofits inside a drain pit. Once installed it sits entirely beneath the drain grate. It does not impede wheel or foot traffic over the grate.

The mechanism that closes the unit and stops flow into the stormwater system is a butterfly valve located in the base. It is engaged manually by extending and turning the handle within the unit.

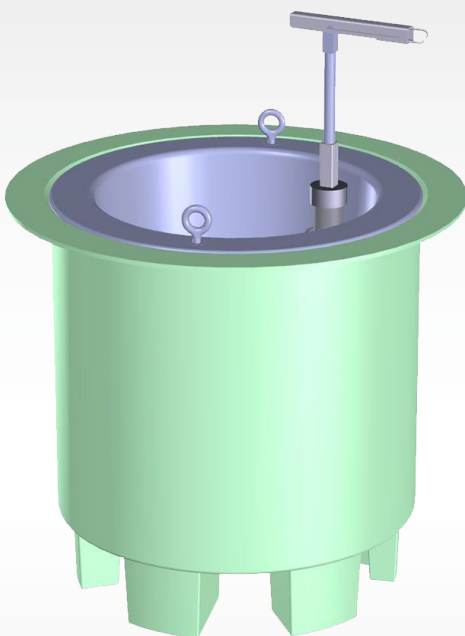
The stainless steel handle stows in a protective sheath within the diffuser body and beneath the grate. Once engaged, the telescopic handle will extend 500mm above ground level out of the grate.

SPECIFICATIONS:

- Flow rate 73L/sec
- 4mm thick black polyethylene.
- 510mm deep
- 560mm Dia including the top lip
- Manufactured tolerance +/- 2mm

INSTALL COMPONENTS

- HDPE pit skirt 1.2m x 1.2m x 15mm thick
- Stainless steel angle supports
- Concrete fasteners



WEIGHT	DIMENSIONS	CAPACITY
19 kg	0.56mDia x 0.51mH	80L